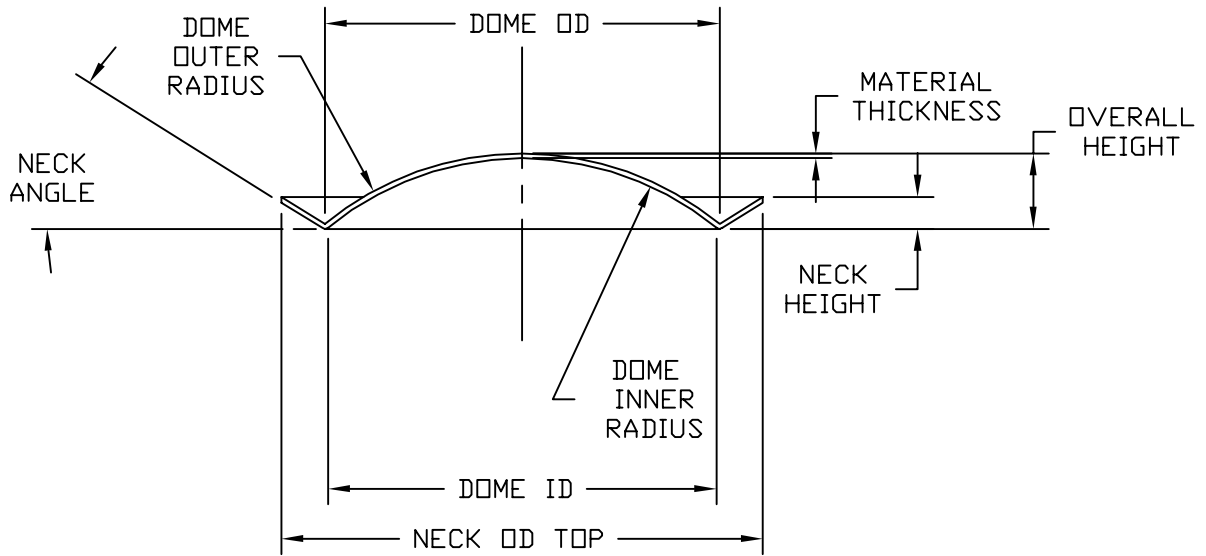


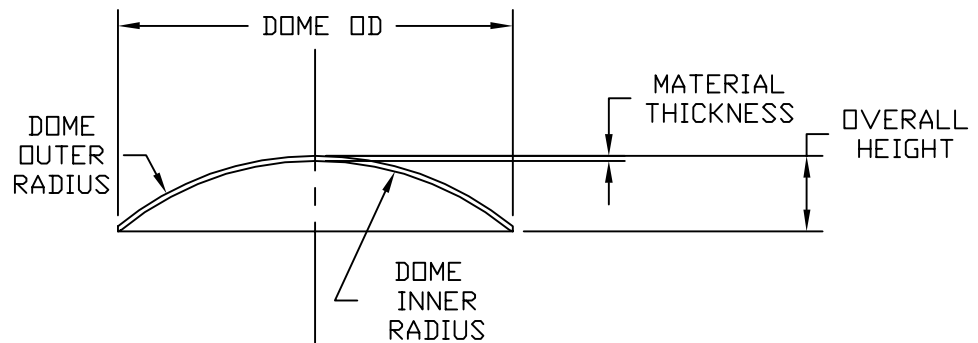
# ALMA

"The International Loudspeaker Association"

## DUST CAP STYLES & NOMENCLATURE



### FLANGE STYLE DUST CAP



### DOME STYLE DUST CAP

2/4/04	REFORMATTED & REVISED PER 2004 ALMA MTG	G. SEIDEL
DATE	REVISION DESCRIPTION	AUTHOR