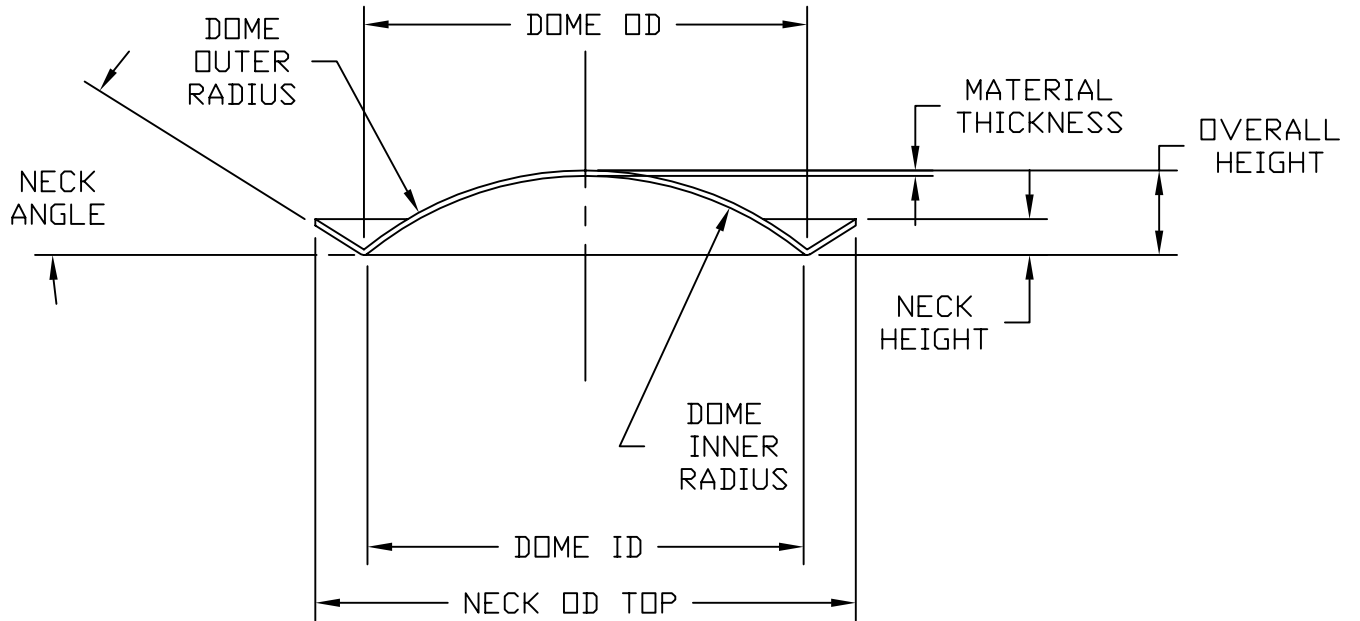


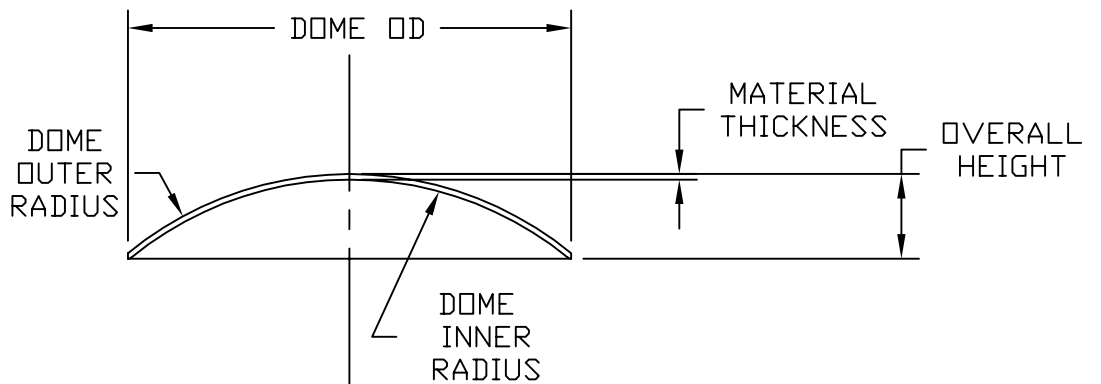
# ALMA

"The International Loudspeaker Association"

## DUSTCAP & WHIZZER NOMENCLATURE



FLANGE DUSTCAP



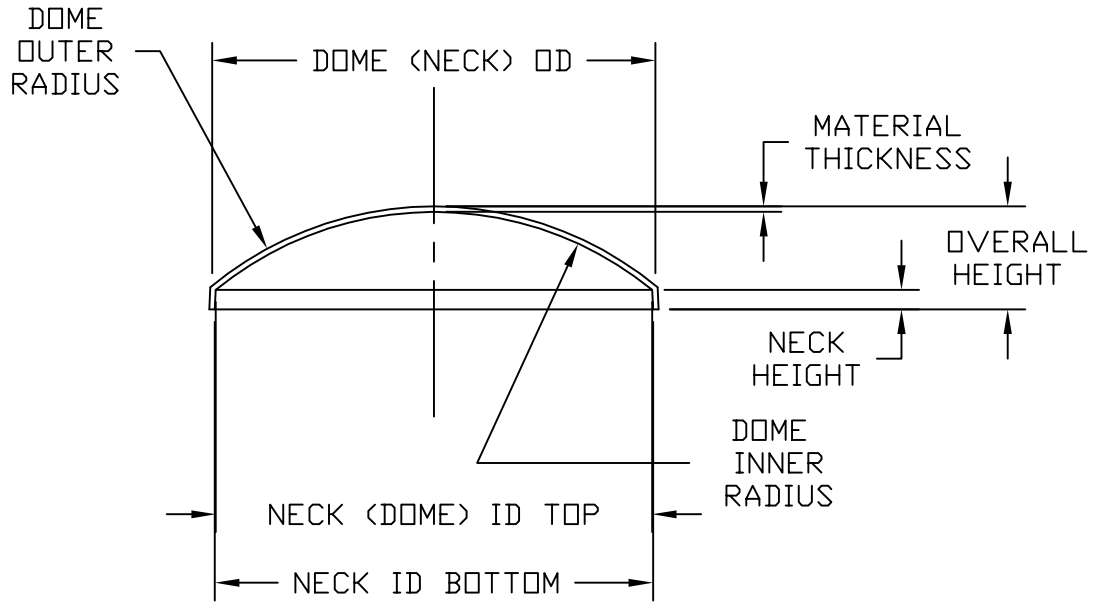
DOME DUSTCAP

DATE	REVISION DESCRIPTION	AUTHOR
1/27/11	ADDED WHIZZER	B. STERLING
2/4/04	REFORMATTED & REVISED PER 2004 ALMA MTG	G. SEIDEL

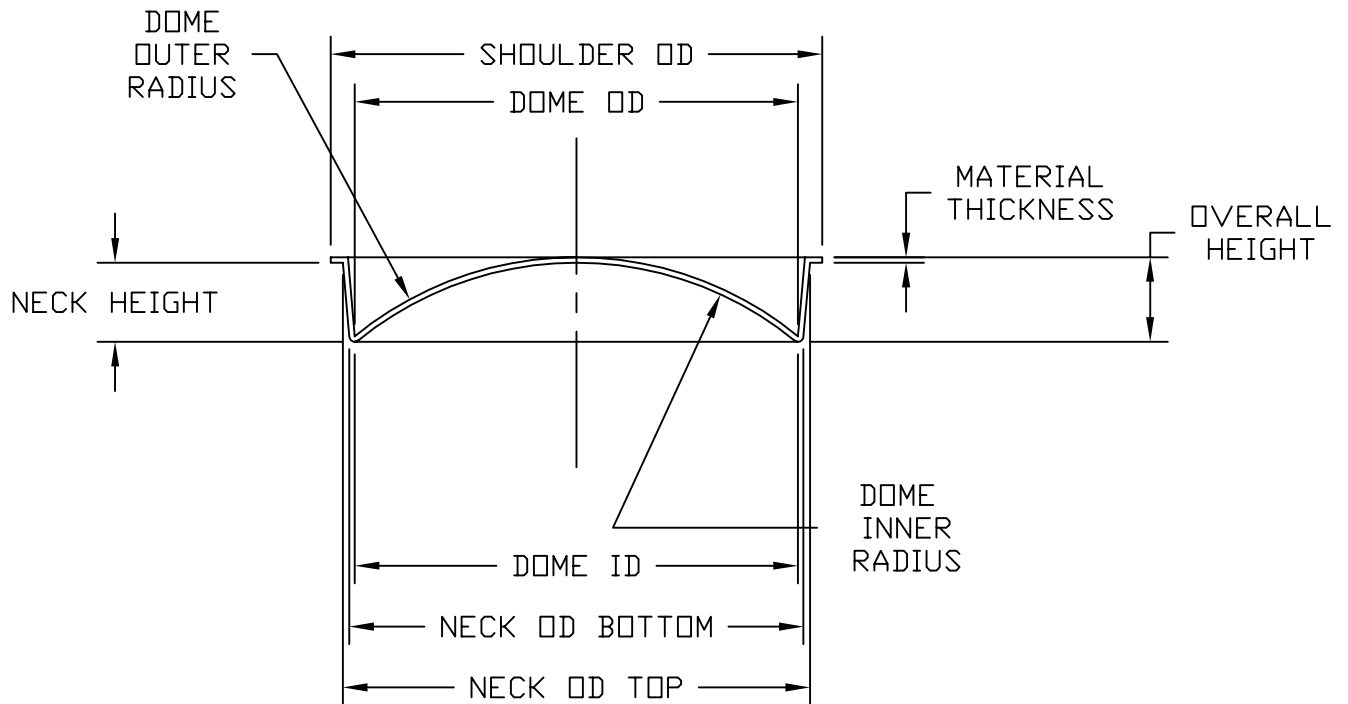
# ALMA

"The International Loudspeaker Association"

## DUSTCAP & WHIZZER NOMENCLATURE



### BUTTON DUSTCAP



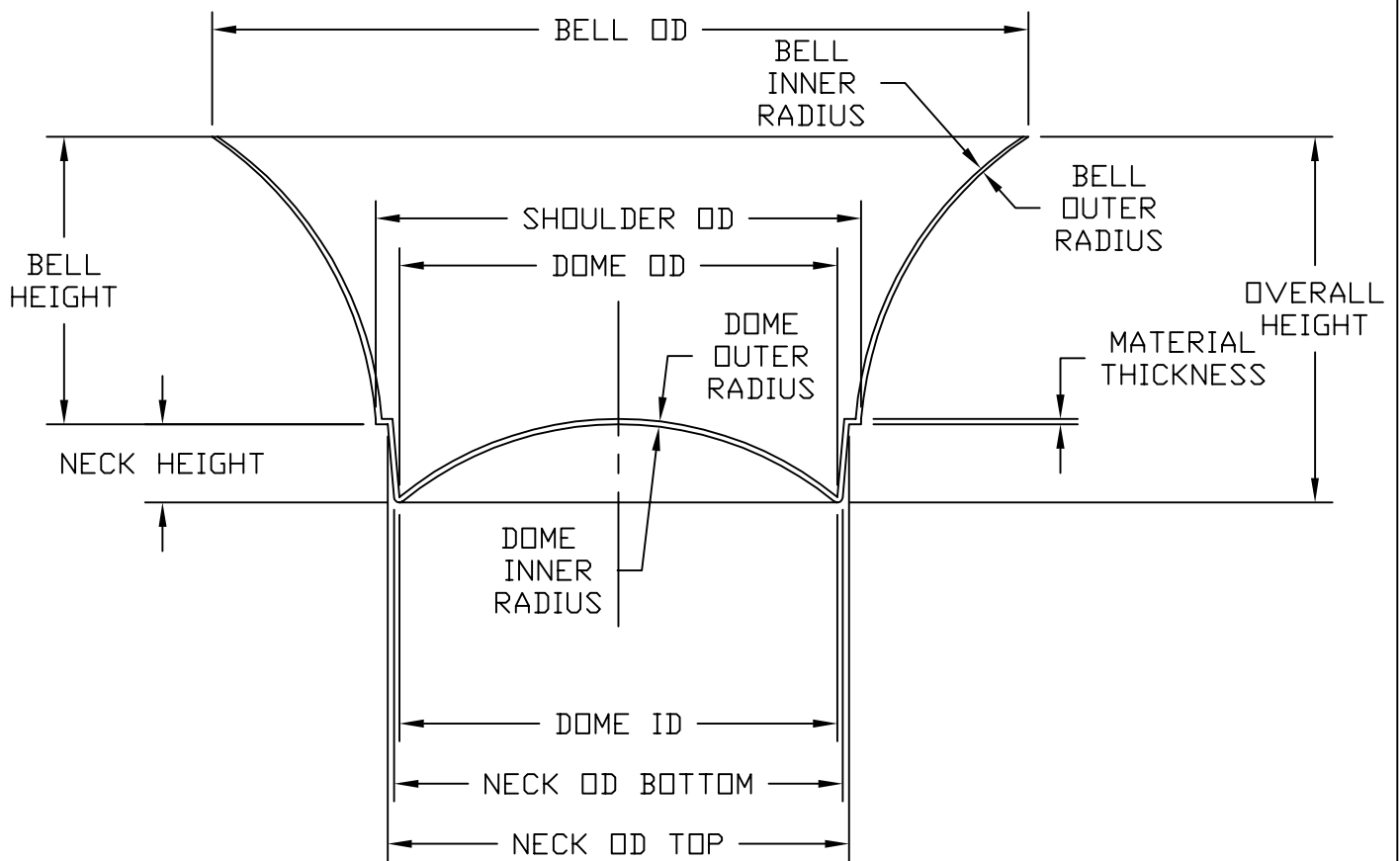
### INSERT DUSTCAP

DATE	REVISION DESCRIPTION	AUTHOR
1/27/11	ADDED WHIZZER	B. STERLING
2/4/04	REFORMATTED & REVISED PER 2004 ALMA MTG	G. SEIDEL

# ALMA

"The International Loudspeaker Association"

## DUSTCAP & WHIZZER NOMENCLATURE



### WHIZZER

DATE	REVISION DESCRIPTION	AUTHOR
1/27/11	ADDED WHIZZER	B. STERLING
2/4/04	REFORMATTED & REVISED PER 2004 ALMA MTG	G. SEIDEL